

MAKE DOOR OPENING SMARTER

One-touch open·High-end full display

tuya[®]



TECHNOLOGE INTELLIGENCE JUST FOR SIMPLE LIFE

Master technology life with mobile phone



Fingerprint unlock



Swap left and right



Password unlock



Low pressure reminder



IC card unlock



Normally open function



APP unlock



Adapter lock body

A black smart lock is shown with a blue beam of light projecting onto a circular fingerprint sensor. The sensor is illuminated with a green ring. The lock has a numeric keypad with numbers 1 through 6 visible.

FINGERPRINT RECOGNITION

360° accurate identification
0.5 seconds instant verification
Indicator light reminder

A black smart lock is mounted on a white door. A hand is shown touching the number '6' on the keypad. The keypad includes numbers 1-0 and a '#' key. A green ring is visible on the left side of the lock.

PASSWORD IDENTIFICATION

Press the "#" key to
wake up by touch

Virtual password

*** 4 5 6 7 ***

A black smart lock is mounted on a white door. A hand is holding a black IC card labeled 'INTELLIGENT LOCK SMART CARD' near the lock's sensor. The lock has a green ring on the left side and a numeric keypad with numbers 1-0 and a '#' key.

IC CARD TO OPEN THE DOOR

Encrypted card
is sensitive and
anti-duplication

Key to open the door

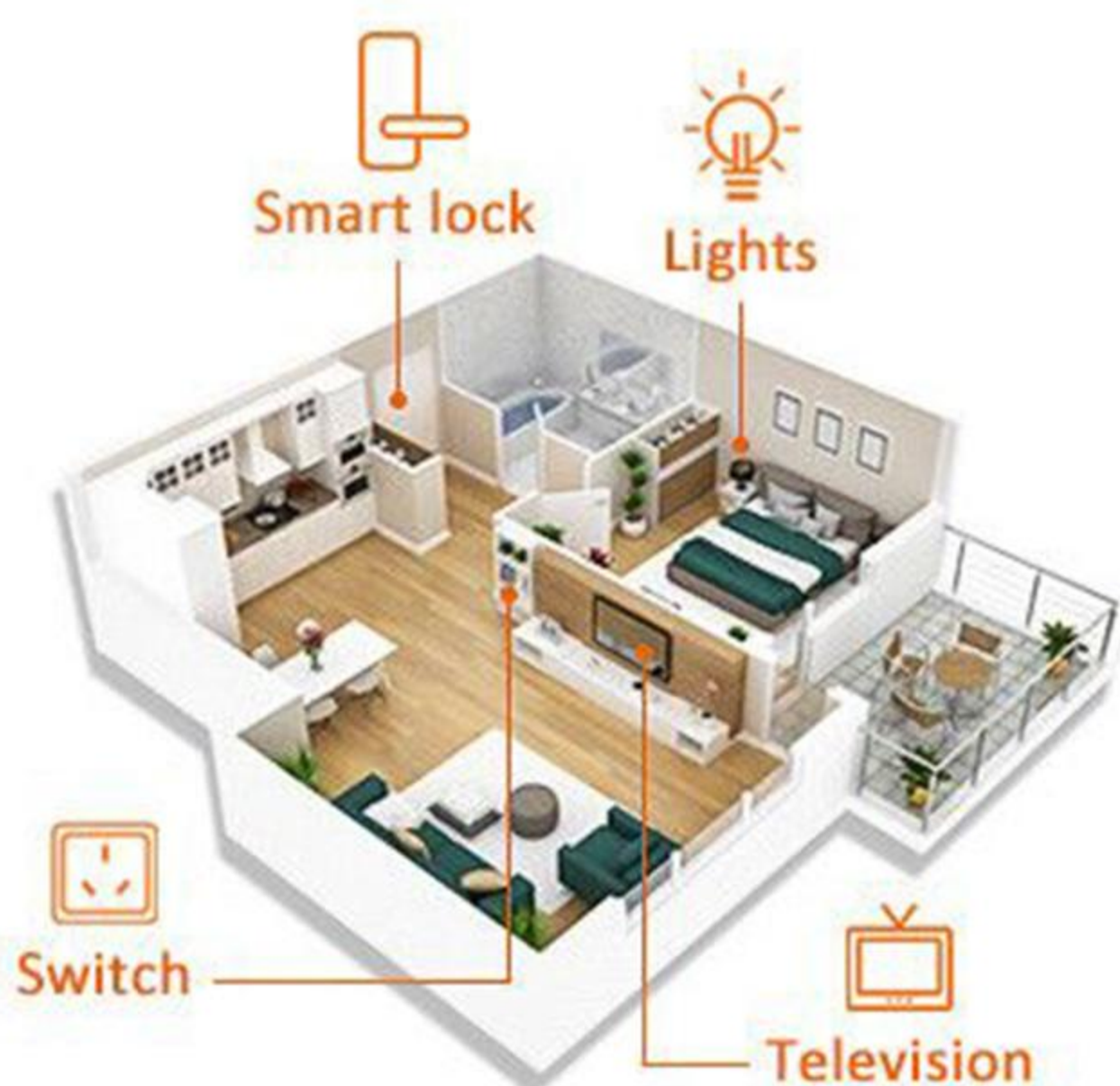
Hidden key hole at the rear of the handle



Powered by **Tuya**

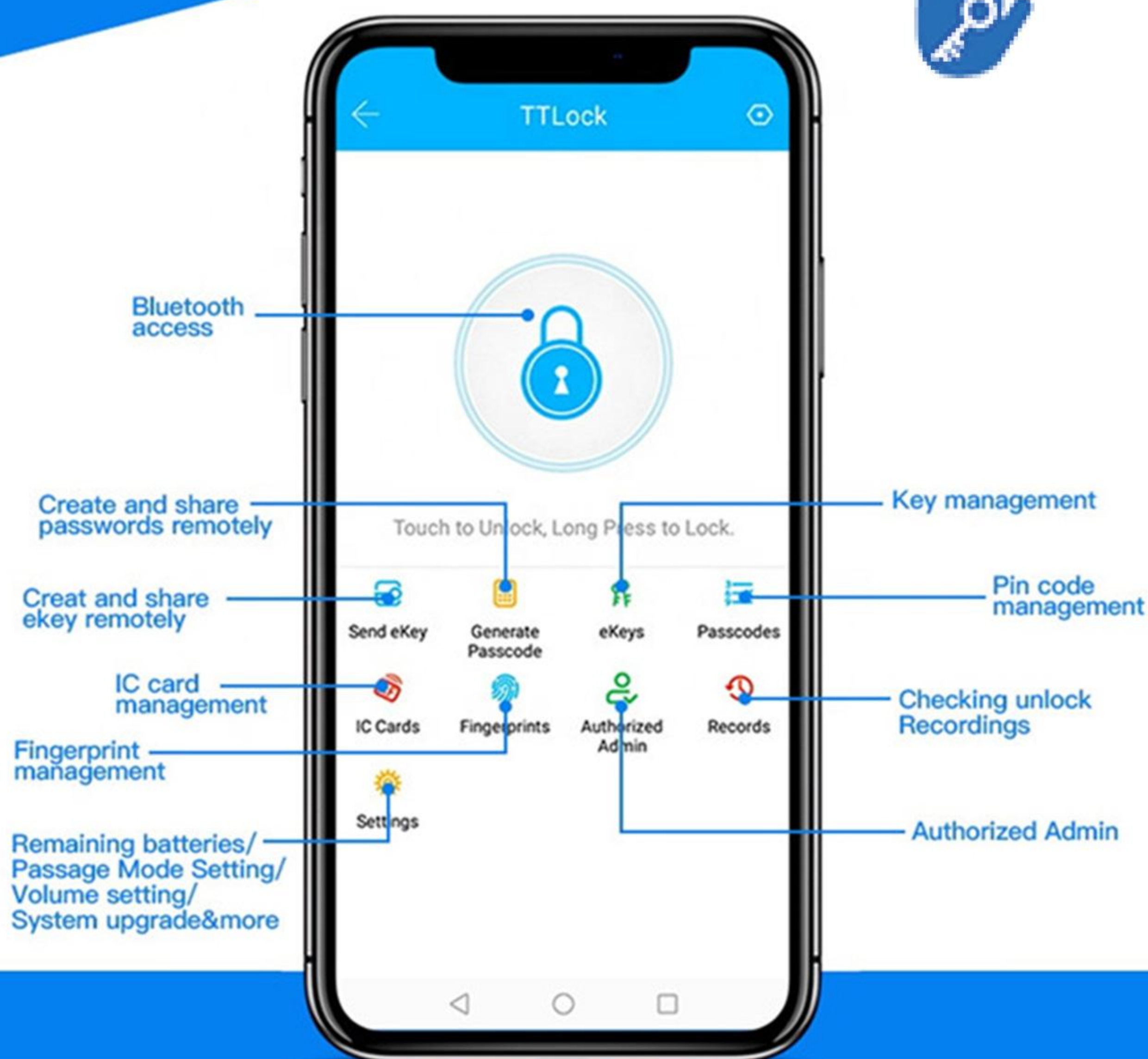


Works with **Smart Life**



Connect your smart lock to TUYA APP, control all your smart devices with TUYA APP.

Introduction of TTLock Using Way



Temporary password

Guest visit One-click sharing

To your company!

Temporary
password:652182

Time-limited fingerprint

It is more convenient for friends to stay temporarily

I'll give you two weeks of fingerprint access!

Wow! Your door
lock is so smart!

Time period opening authority

Housekeeping service setting time period to open the door is more convenient and more assured

Open door record query

Remotely available for real-time updates

[02]Wife open door
2022-06-20 17:26

[03]Son open door
2022-06-21 9:02

Normally open mode

In normally open mode, the door can be opened without verification and pressing the handle

Tempered glass panel

Waterproof and stain-resistant
First-class tactile quick identification



Low pressure alarm

Voltage below 4.5V
Door lock automatic alarm

Zinc alloy lock

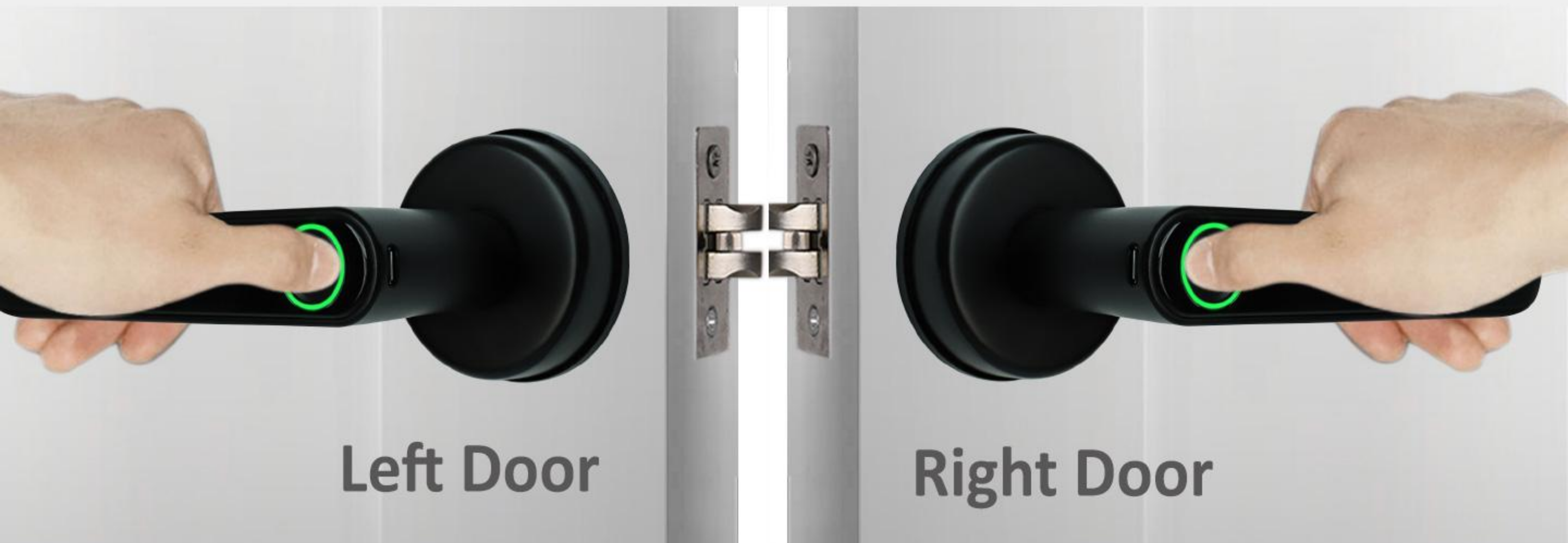
Real material is sturdy and durable

USB emergency wiring hole

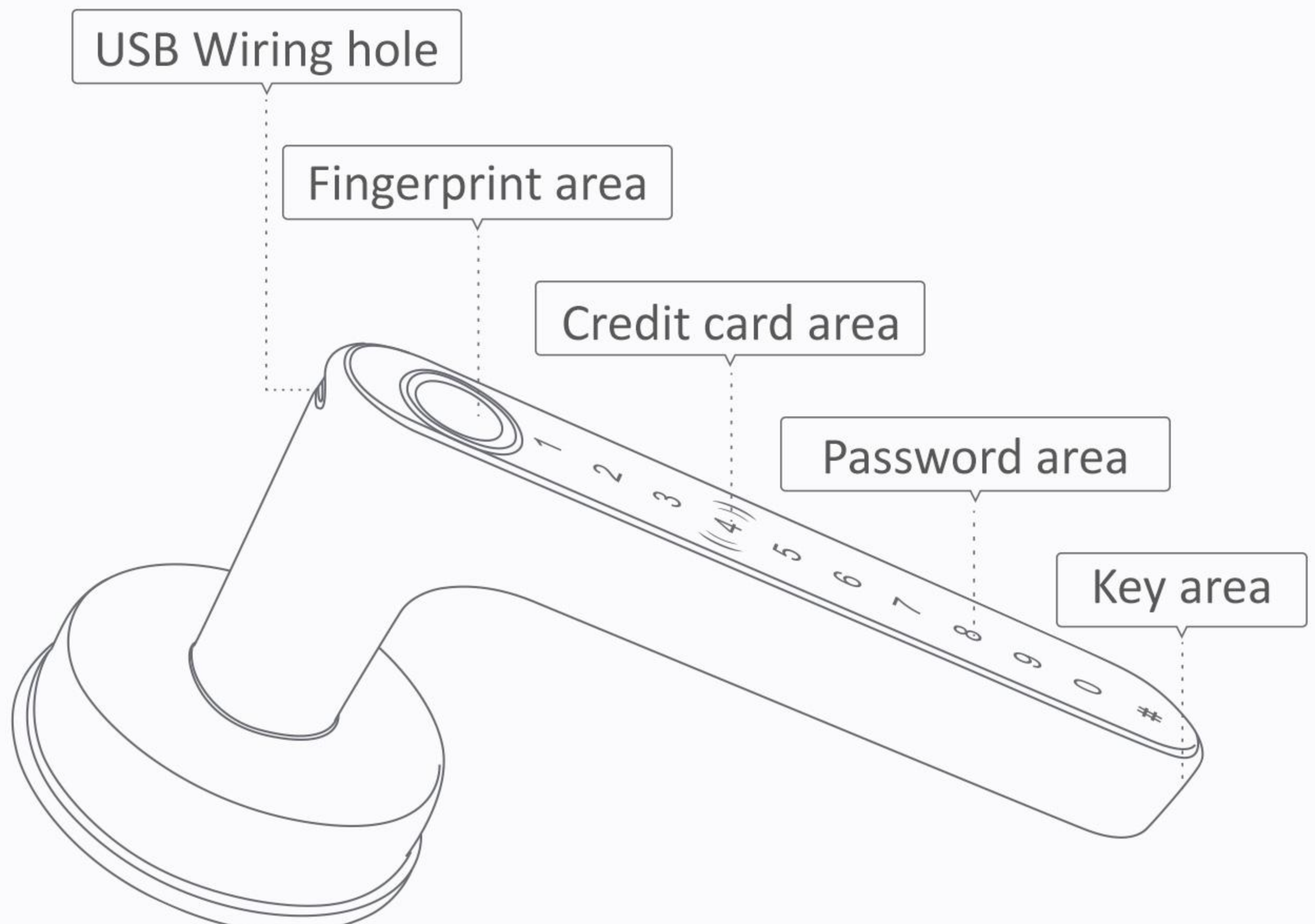
Don't panic if the battery is dead
USB interface emergency charging



LEFT AND RIGHT INTERCHANGEABLE REGARDLESS OF HANDLE DIRECTION



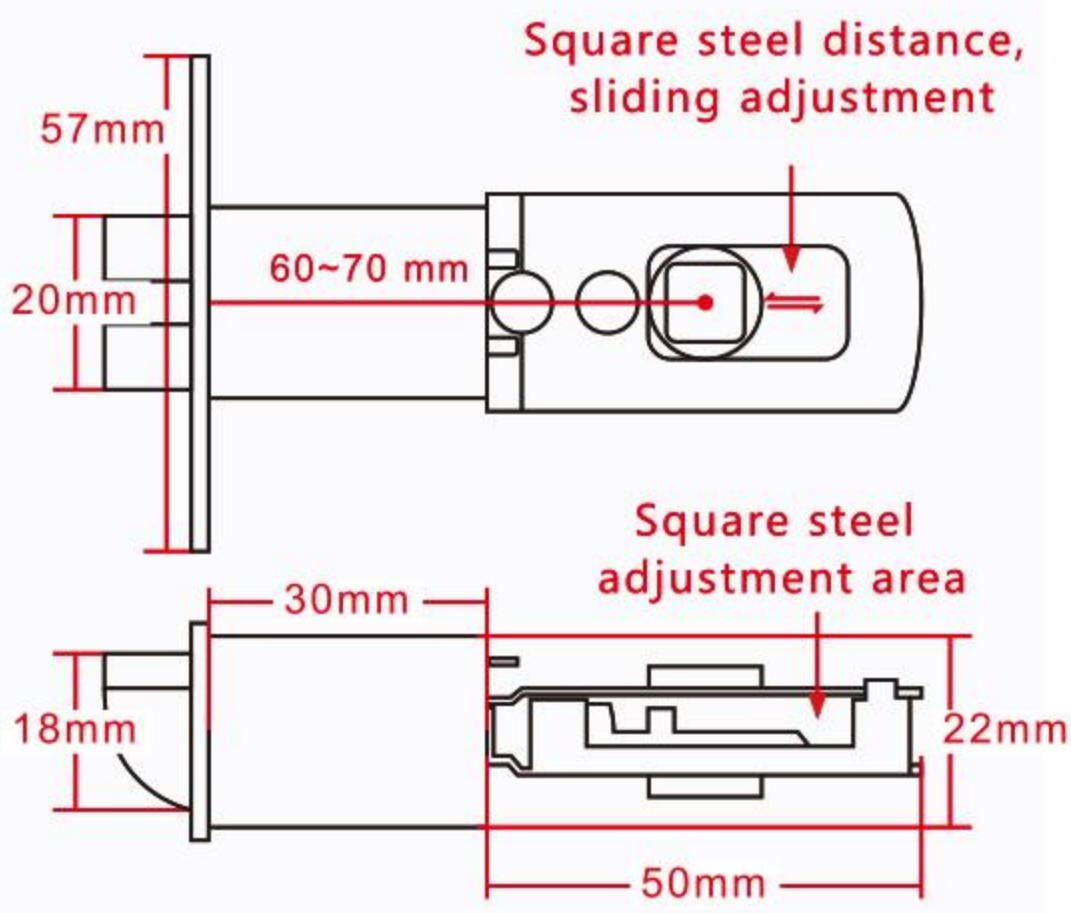
Intelligence Changes Life



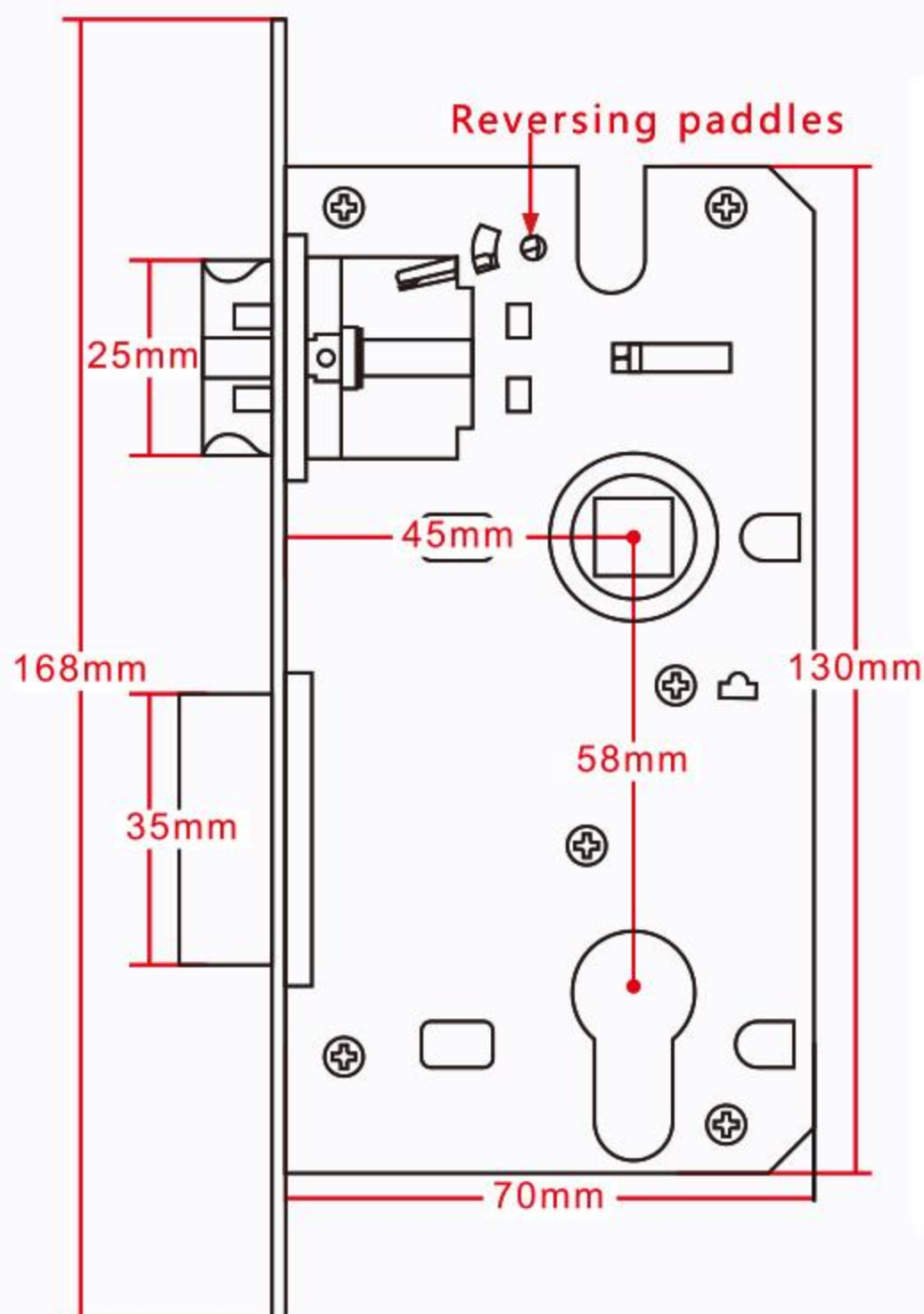
Change locks easily

No need to open holes · No need to replace the lock body
Can replace 99% mechanical locks on the market

60-70 Adjustable single tongue lock body (Special for ball lock)



5845 double tongue lock body (Special for split lock)



Product Size



There is an error in manual measurement, please refer to the actual size

Product information

Lock body material : Zinc alloy

Panel material : Tempered glass

Fingerprint Head : Semiconductor

Fingerprint capacity : 100 pieces

Password capacity : 75 sets of custom passwords

Number of APP remote passwords : Unlimited

IC card capacity : 75 pieces

Door opening method : Fingerprint, Password, IC card, APP, Key

Low voltage alarm : $\leq 4.8\text{VDC}$

Applicable door thickness : 35~55MM

Working humidity : 10%~90%RH

Working temperature : $-10\sim 60^{\circ}\text{C}$

Rejection rate : $< 0.1\%$

False acceptance rate : $< 0.001\%$

Applicable lock body : Single tongue lock body 5845 lock body

Power supply mode : 4 AA batteries USB emergency charging